

RigRack 120V Modular Power Rack

Date: _____
Type: _____
Firm: _____
Name: _____
Project: _____

The Vari-Lite RigRack is a modular 120V theatrical power rack with high performance dimmed and relay-controlled power for the largest entertainment venues. This 96-circuit power rack can combine up to 48 user-swappable modules to meet the demands of any production, with status reporting included in most modules. Users can interchange modules between productions to meet their changing power needs, with modules available for IGBT dimming, relay-controlled power, constant power, and a combined SCR phase dimming, relay, and constant power module. For peace of mind, RigRack offers a 50,000 SCCR fault current rating.

Dual 20A power module options include:

- IGBT Dimming module with status reporting
- Relay module with status reporting
- Combined SCR Phase Dimming, Relay, and Constant Power module with status reporting
- Constant Power module

RigRack offers multiple connectivity and control options, including sACN, Art-Net, Vision.Net, and DMX. It also supports contact closure for UL924 applications. In addition, an optional secondary processor provides full tracking backup for ultimate reliability. To make things easy to commission and manage, the system includes browser-based configuration and local controls for setup and testing.

- 96-circuit, 48-module power rack with status reporting - modular power for large entertainment venues
- Selection of user-swappable dual 20A power modules - Wide range of easy-to-swap power control options that can be combined in any way to meet the demands of each production
- Broad connectivity and control options including Ethernet (sACN, Art-Net, Vision.Net), RS485 (Vision.Net, DMX), and Contact Closure (UL924) - connect where and how you need it
- Optional secondary processor with full tracking backup available - peace of mind for your production
- Web Browser Configuration - Easily make quick adjustments when you need
- Local controls for set up and testing - simply configuration and testing right from RigRack
- Integrated 4 port Ethernet switch - connect to nearby touchscreens, DMX gateways, and other Ethernet devices with a single cable run
- Lockable door - security and safety for your system.



VARI*LITE

Specifications

Due to continuous improvements and innovations, specifications may change without notice.

Electrical

| | |
|-------------------------|------------------------------|
| Power Source | Mains Fed |
| Supply Voltage | 120V, 3 phase up to 800 amps |
| Max Current (per phase) | 800A |
| Load rating/channel | 20A |
| Modules | Up to 48 |
| Number of Circuits | Up to 96 |

Data

| | |
|----------------------------|------------------|
| DMX Input | 1x 5 pin Phoenix |
| DMX Thru | 1x 5 pin Phoenix |
| Vision.Net | 1x 9 pin Phoenix |
| Ethernet | 5x RJ45 |
| Link (to additional units) | 1x 8 pin Phoenix |
| Panic | 2x 3 pin Phoenix |

Connectivity

| | |
|-----------|------------|
| Protocols | DMX512 |
| | Vision.net |
| | sACN |
| | Art-Net |
| | ShowNet |

Installation

| | |
|----------------|---|
| Mounting | Floor Standing |
| Mounting Holes | 4 x 1/4" bolts, 725.96 (28.58") x 825.5 (32.5") |

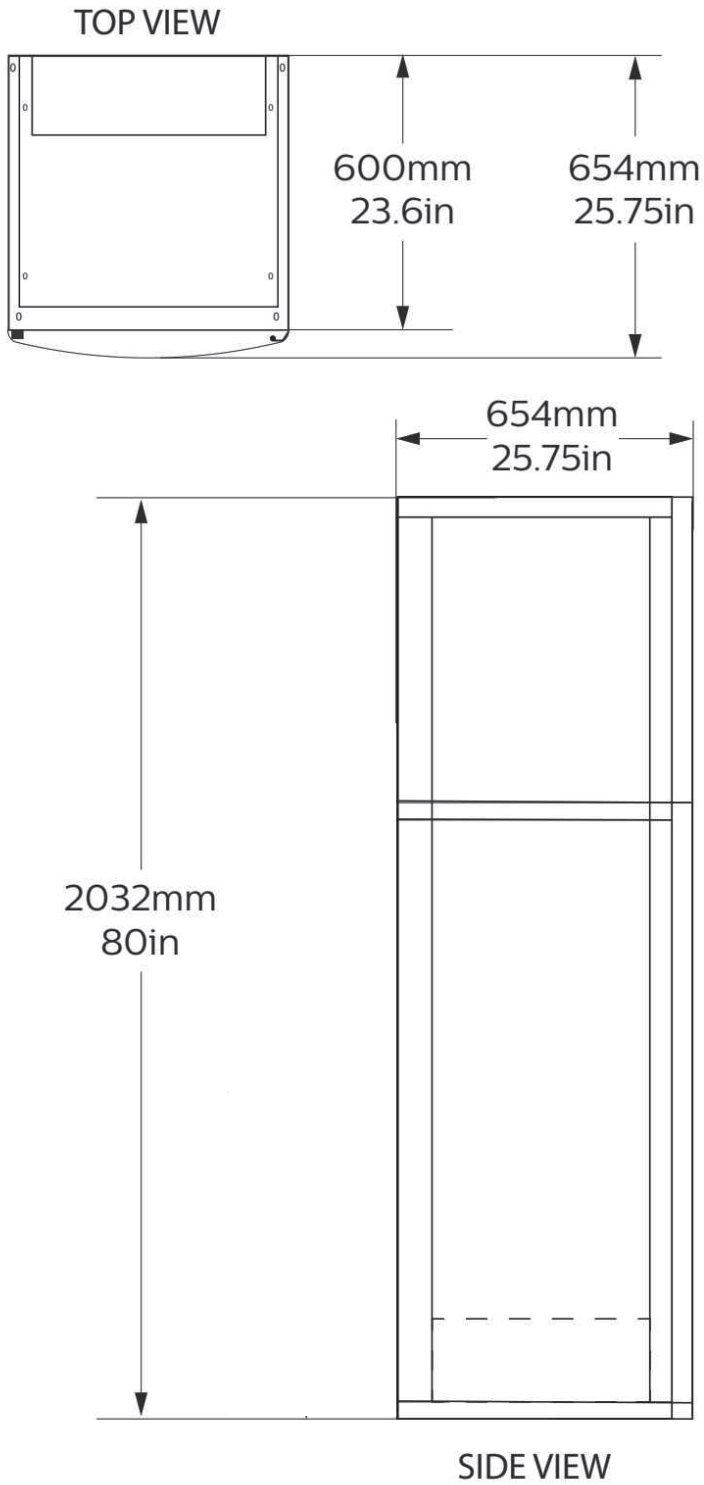
Certification and Safety

| | |
|---------------------------|---|
| Ingress protection rating | IP 20 |
| Approbations | cETLus, CE, UKCA |
| Conformity | EMC emissions to EN50081-1, EB55014 EMC immunity to EN50082-1, IEC1000-2-2 Safety: EN60950m, EN60439 Part 1 (also part 12 BS5486) UL1950 |

Physical

| | |
|------------------------|--------------------------------------|
| Construction | Formed Steel |
| Housing Color | Black |
| Dimensions (H x W x D) | 2032 (80") x 623 (24.5") x 660 (26") |
| Weight | 223 kg (491.6lb) |
| Operating Temperature | 0 - 40°C (32 - 104°F) |
| Cooling System | Convection |
| Humidity | 5-90% non-condensing |

Dimensions



Product and Accessories

When ordering, include everything required from below for each enclosure.

| Enclosures | Order Code |
|---|-------------------|
| 48 module (96ch) RigRack enclosure (incl. Phase Sense & Amp Trap) | 53804-111 |
| 48 module (96ch) RigRack enclosure, bussed (incl. Phase Sense) | 53804-112 |

| Modules | Order Code |
|---|-------------------|
| Dual 20A Constant RigRack module | 53804-131 |
| Dual 20A Relay RigRack module, with status reporting | 53804-132 |
| Dual 20A IGBT (1000µs) RigRack module, with status reporting | 53804-133 |
| Dual 20A Dimming (500µs) / Relay / Constant RigRack module, with status reporting | 53804-135 |

| Processor | Order Code |
|---|-------------------|
| Single RigRack (or retrofit) processor in a dual tray | 53804-021 |
| Second / spare RigRack (or retrofit) processor | 53804-022 |

| Accessories | Order Code |
|--|-------------------|
| Blank RigRack (or retrofit) module | 53804-041 |
| RigRack buss bar link | 53804-142 |
| RigRack spares kit | 53804-143 |
| RigRack vibration pad (floor) | 53804-144 |
| RigRack vibration pad (wall) | 53804-145 |
| RigRack common neutral bus | 53804-146 |
| RigRack Numbering Strips - 4 racks worth numbered 1 to 384 | 53804-147 |

